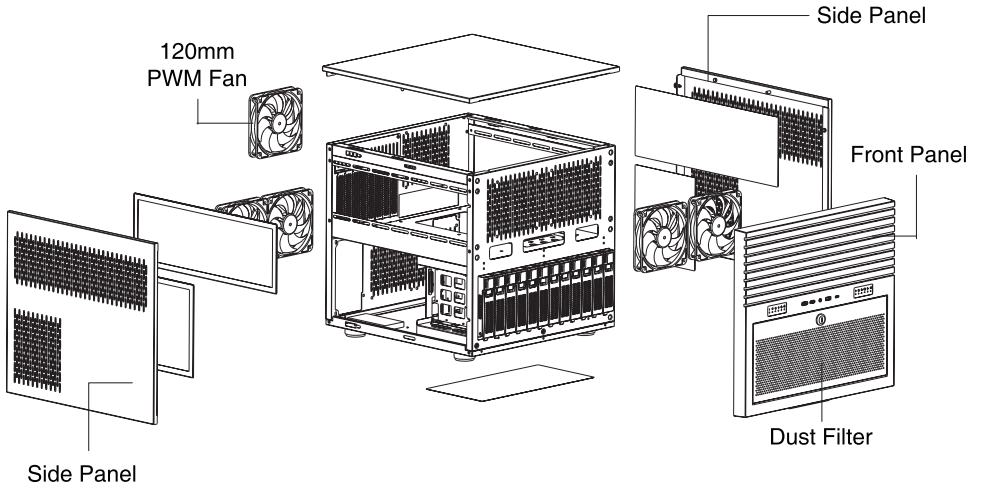
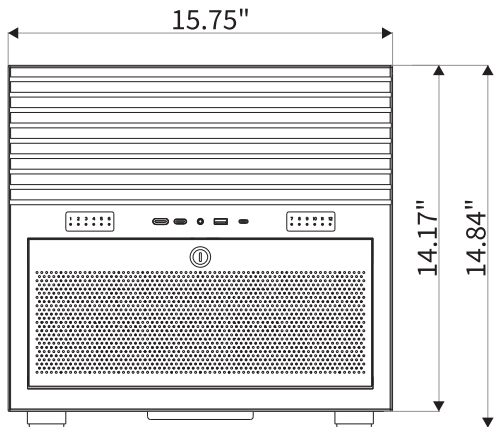
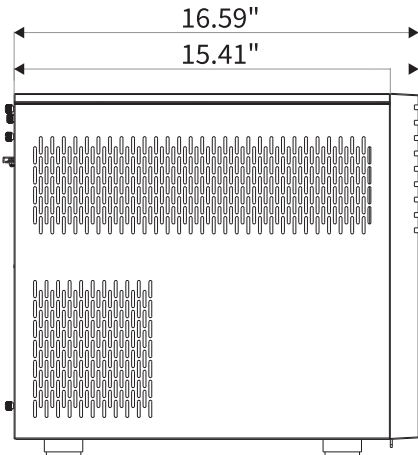


PRODUCT OVERVIEW

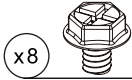
Product Diagram



Dimensions: 15.75" x 14.84" x 16.59" (W x H x D)



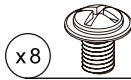
Accessory Kit



x8

Screw-A (6-32 x 6 mm)

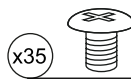
PSU/Bracket



x8

Screw-B (M3 x 5 mm)

ODD



x35

Screw-C (6-32 x 6 mm)

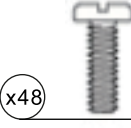
Motherboard



x48

Screw-D(KM 3x6mm)

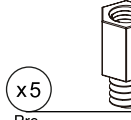
2.5" SSD



x48

Screw-E(6-32x8mm)

3.5" HDD



x5

Pre-installed +5

Standoff

Motherboard



x6

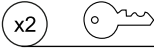
Cable Tie

Cable Management



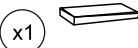
x12

SATA



x2

Key



x1

Rubber Stand

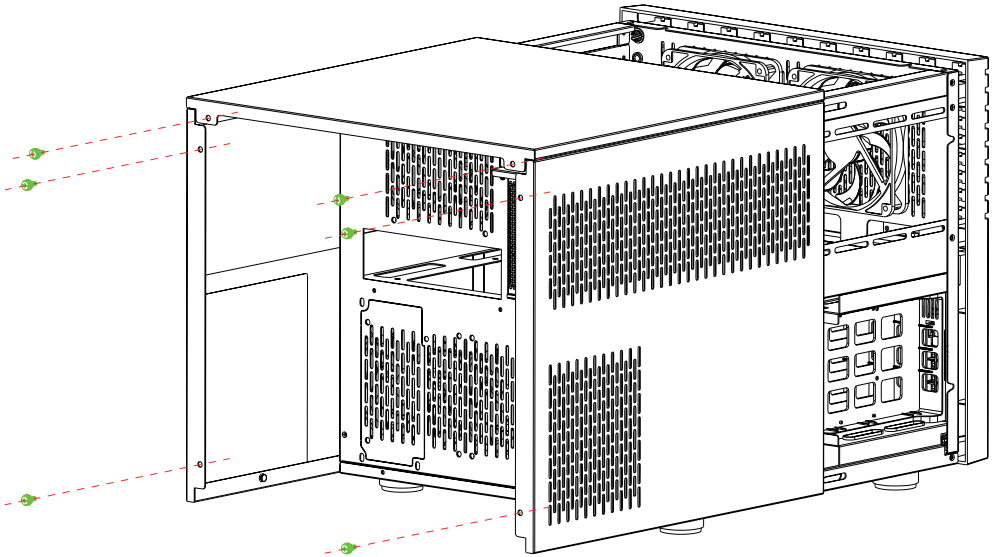
INSTALLATION GUIDE

Please remove all packaging materials before proceeding to disassembly/assembly.

1. Removing the Top & Side Panel

- Tools Required: None.
- Procedure:
 1. Ensure the chassis is powered off and disconnected from any power source.
 2. If secured by screws, unscrew the fasteners at the rear edge of the top & side panel.
 3. Grip the panel handle or edge and slide it directly backwards to remove it.
- Note: Handle the panel carefully to avoid scratching. The process for the opposite side panel is identical.

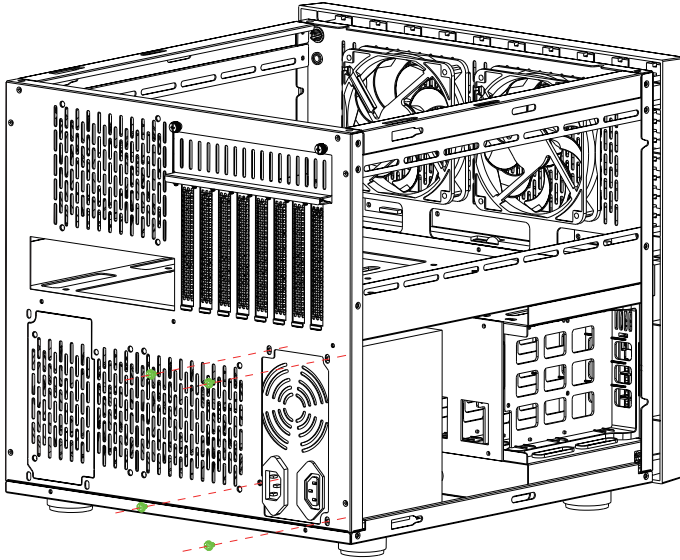
1



2. Installing the Power Supply Unit (PSU)

- Tools Required: Phillips screwdriver.
- Procedure:
 1. Orient the PSU so that its fan grill faces the intended ventilation opening (typically downwards or towards the rear of the chassis).
 2. Slide the PSU into the dedicated PSU bay from the interior of the chassis until it is flush with the rear of the chassis.
 3. Align the four mounting holes on the PSU with the holes on the chassis bracket.
 4. Secure the PSU using the four screws provided in the chassis screw package.
- Note: Connect power cables only after the PSU and all major components are securely installed.

2



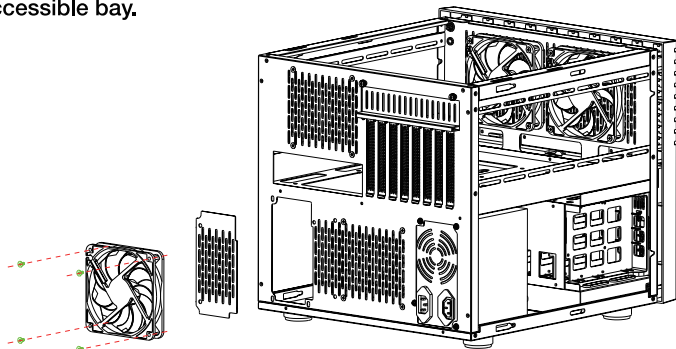
3. Installing a Second PSU: Removing Fan and PSU Bracket (Optional)

- Tools Required: Phillips screwdriver.

- Procedure:

1. To access the secondary bay, first remove any fan mounted in this location by disconnecting its power cable and unscrewing it.
2. If a metal bracket covers the PSU opening, remove the screws securing it and set the bracket aside.
3. Follow the standard PSU installation procedure (Step 2) to install the second PSU in the now-accessible bay.

3



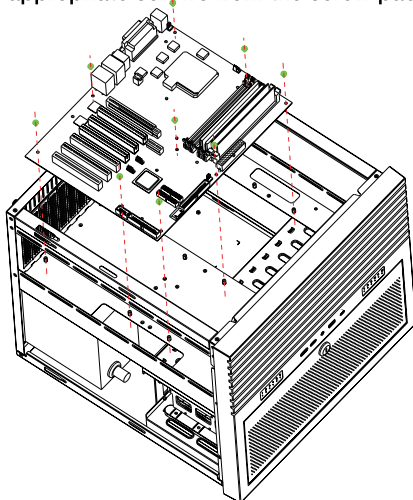
4. Installing the Motherboard

- Tools Required: Phillips screwdriver.

- Procedure:

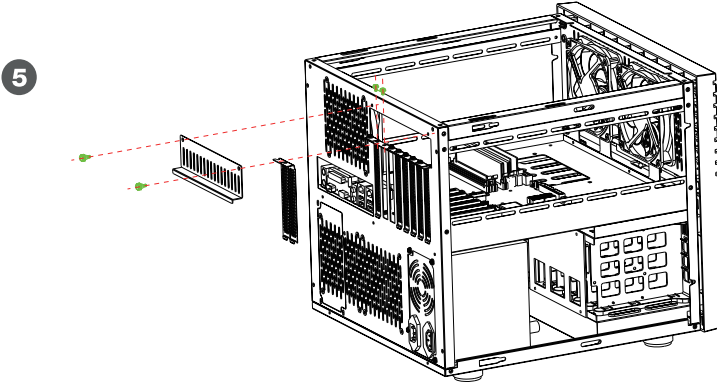
1. Place the chassis on its side.
2. Compare the motherboard's mounting holes with the pre-installed standoffs in the chassis. Install additional standoffs if required for your motherboard form factor (ATX, microATX, ITX, etc.).
3. Carefully lower the motherboard into the chassis, aligning its rear I/O shield with the corresponding chassis cutout and its screw holes with the standoffs.
4. Secure the motherboard using the appropriate screws from the screw package. Do not overtighten.

4



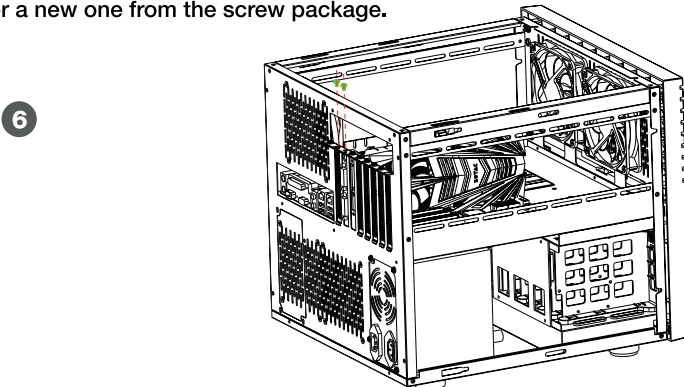
5. Removing Rear Window Cover and PCI Slot Covers

- Tools Required: Phillips screwdriver
- Procedure:
 1. Rear Window/Fan Grill: If present, remove any screws securing the rear exhaust cover or fan grill. It may simply pop out or slide free.
 2. PCI Slot Covers: For each expansion card you plan to install, you must remove the corresponding metal cover (PCIe slot cover) from the rear of the chassis. These are typically held by a single screw or a tool-less latch. Remove the necessary number of covers.
- Note: Keep the spare covers in case you need to cover unused slots in the future.



6. Installing a Graphics Card

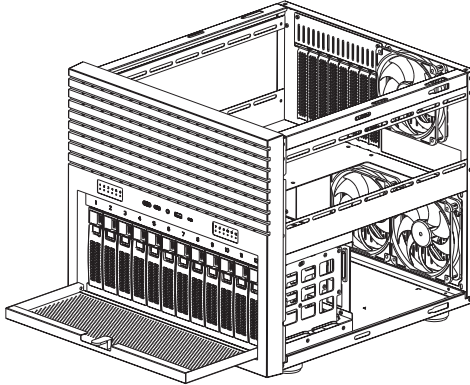
- Tools Required: Phillips screwdriver.
- Procedure:
 1. Locate the appropriate PCIe x16 slot on the motherboard (usually the top one).
 2. Remove the corresponding PCI slot cover(s) from the chassis rear (see Step 5).
 3. Align the graphics card's connector with the PCIe slot and its bracket with the opening in the chassis.
 4. Press down firmly and evenly on the card until it is fully seated in the slot. You should hear a click if the slot has a retention latch.
 5. Secure the card's bracket to the chassis using the screw from the removed PCI slot cover or a new one from the screw package.



7. Opening the Flip Door with a Key

- Tools Required: Provided key.
- Procedure:
 1. Locate the keyhole on the front or side of the flip door panel.
 2. Insert the key and turn it to unlock the mechanism.
 3. The door can now be opened, providing access to front drive bays, I/O ports, or fan filters.
- Note: Always lock the door after maintenance if security or dust prevention is desired.

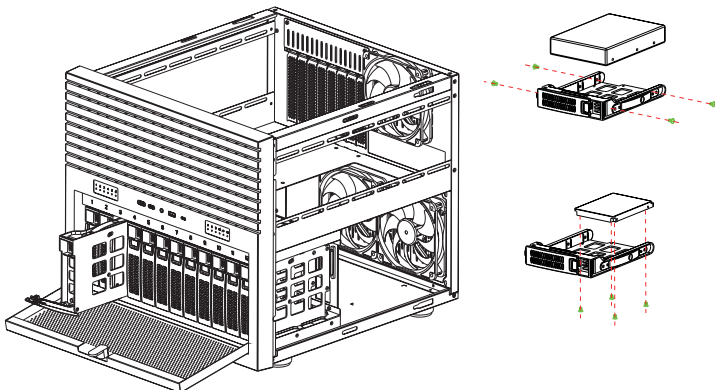
7



8. Install Fan

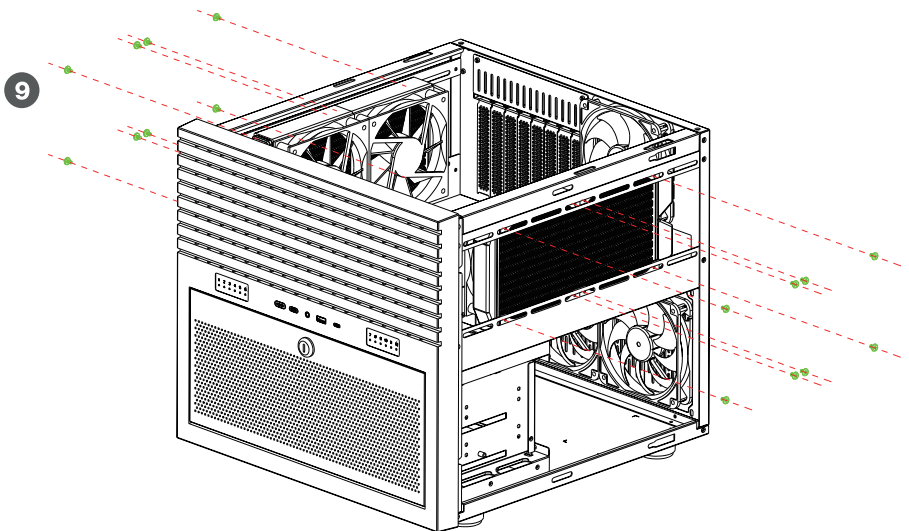
- Tools Required: Phillips screwdriver.
- Procedure:
 1. Removing the Tray: To install a 3.5" hard drive, first extract the HDD tray from the drive bay. This may involve pressing a release latch or simply pulling on a handle.
 2. Mounting the HDD: Place the hard drive into the tray, aligning its side screw holes with the posts or holes on the tray. Secure it using the provided screws (usually four, two on each side).
 3. Re-inserting the Tray: Slide the populated tray back into the designated drive bay until it clicks or locks into place.
 4. Connect the SATA data and power cables to the drive.

8

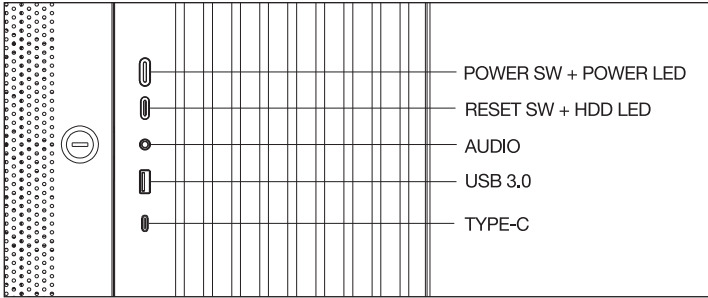


9. Installing 240mm Radiator on Left/Right Side

- Tools Required: Phillips screwdriver, thermal paste (if installing a new CPU cooler).
- Procedure:
 1. Determine the intended mounting location (left or right side panel interior) based on chassis design and component clearance.
 2. If necessary, remove any pre-installed fans from the area.
 3. Position the 240mm radiator against the mounting points, ensuring the tubing can be routed conveniently to the CPU water block.
 4. Secure the radiator using the long screws provided with your All-in-One (AIO) liquid cooler, passing through the fan (if fans are mounted to the radiator) and into the radiator's threaded holes.
 5. Attach fans to the radiator (if not pre-attached) for push or pull configuration.
 6. Connect the fan and pump power cables to the appropriate headers on the motherboard.



I/O PANEL



SPECIFICATIONS

Model	
Model Name	Hearth NAS PRO
Specifications	
Motherboard Compatibility	E-ATX / ATX / Micro ATX and below
Color	Black
Internal 5.25" Drive Bays	0
Internal 3.5" Drive Bays	12
Internal 2.5" Drive Bays	12
Expansion Slots	8
Front Ports	1 x USB 3.1 Type-C / 1 x USB 3.0 / Audio
Fan Options	Front: 2x120mm(pre-installed) Rear: 3x120mm(pre-installed) Left: 3x120mm Right: 3x120mm
Radiator Options	Side: 240mm
Max GPU Length	360 mm
Max CPU Cooler Height	160 mm
Max PSU Length	240 mm



Technical Support Information techsupport@rosewill.com 1-800-575-9885
Please register your product at www.rosewill.com for complete warranty information and support for your product.